



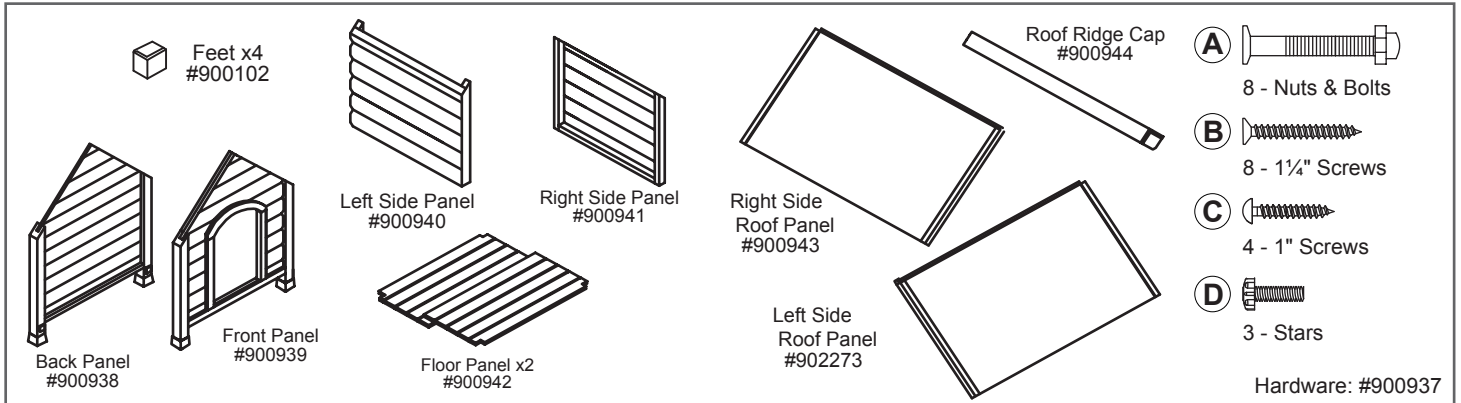
Extra Large Premium Plus

A-Frame Doghouse

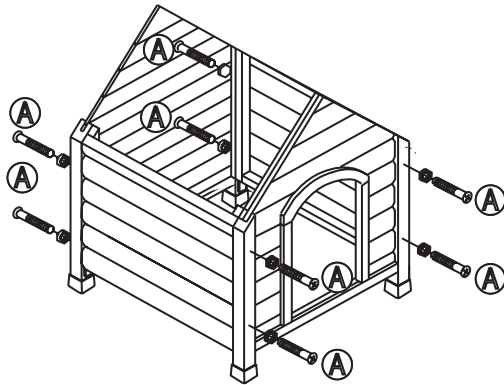
Assembly Instructions

Item #01708

#30001708

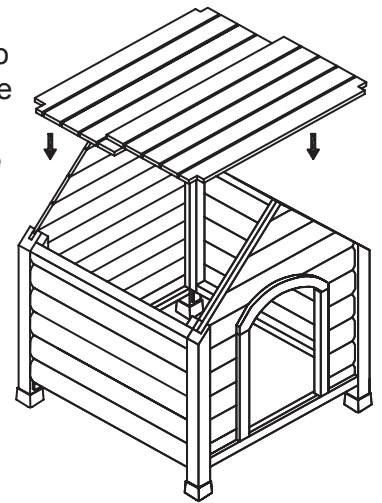


Step 1 Connect the Front Panel and the Back Panel to the Left Side Panel and right Side Panel using the 8 - 2³/₈" Nuts and Bolts (A).

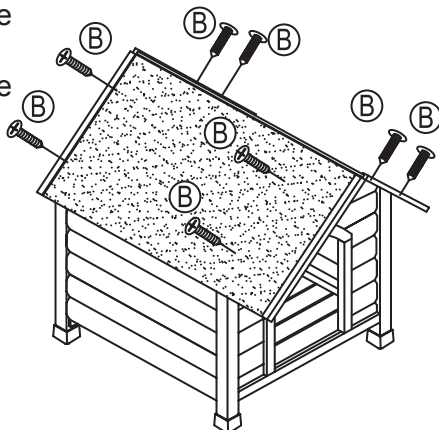


Step 2 Insert the two piece floor panel into the assembled doghouse

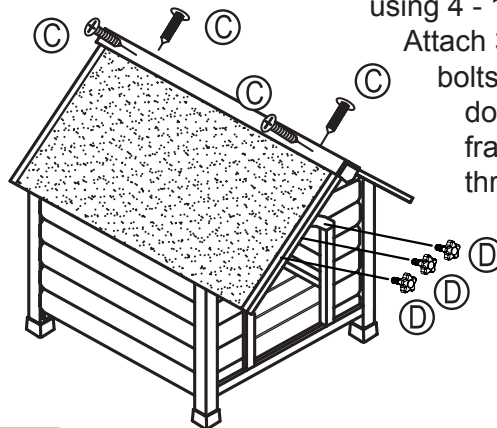
Tip: The corners of the floor panels are notched to fit the outside corners



Step 3 Attach the two piece Shingle Roof Panels to the assembled doghouse using the 8 - 1¹/₄" screws (B).



Step 4 Place the Ridge Cap onto the Shingle Roof Panels and secure using 4 - 1" screws (C). Attach 3 star shaped bolts (D) on the doghouse door frame in the threaded holes.



Ware Tip

Your Premium⁺ Doghouse has four adjustable feet, designed to allow you to level your doghouse

Care Tip

To protect the wood on your doghouse you need to re-apply the protective stain finish at least 1x each year. Use a safe and non-toxic water based stain (available at your local paint or hardware center). Keep doghouse in a safe area away from high winds and extreme temperatures.

If you have any questions or concerns about this product, contact our customer service department at 1-800-295-2243 or cs@waremfginc.com and we will help you with any problems, Mon-Fri 8:00 – 4:00 MST