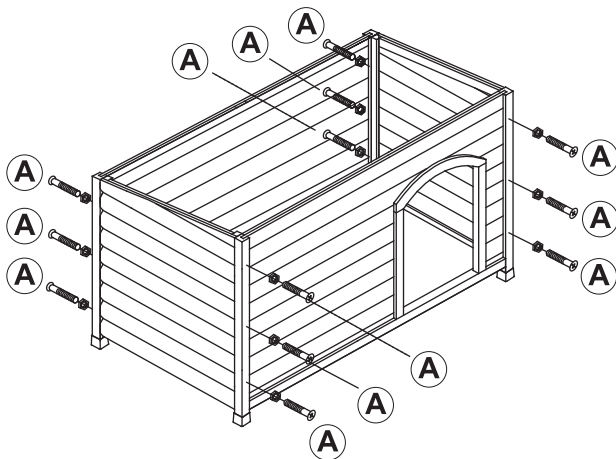


Hardware: #900961

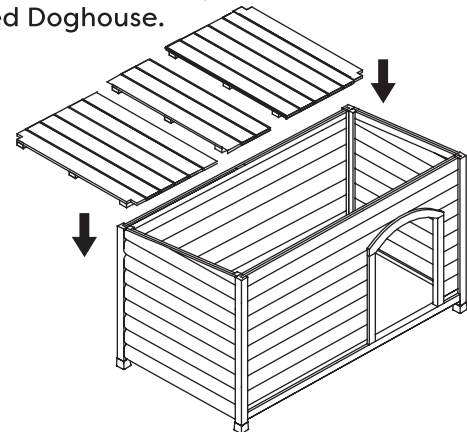
- A** 12 - 2 $\frac{3}{8}$ " Nuts & Bolts
- B** 5 - 1" Screws
- C** 8 - $\frac{3}{4}$ " Screws
- D** 3 - Stars

Locking Opener (2)

Step 1 Connect the Front Panel and the Back Panel to the Left and Right Side Panels using 12-2 $\frac{3}{8}$ " Nuts and Bolts (A). Slide feet onto wooden legs.

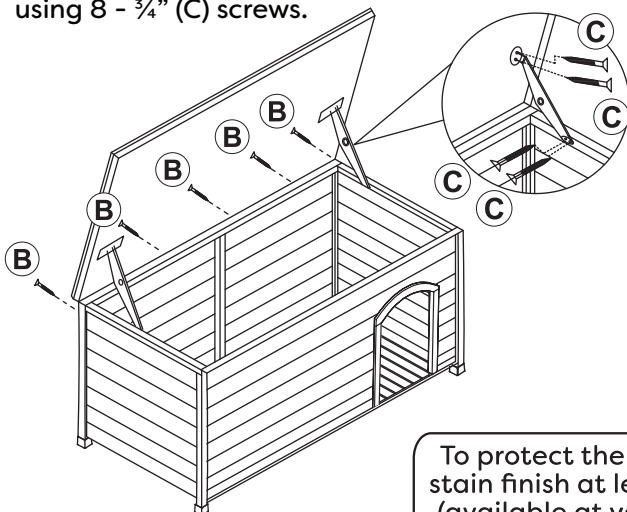


Step 2 Insert the 3 piece Floor Panel into the assembled Doghouse.

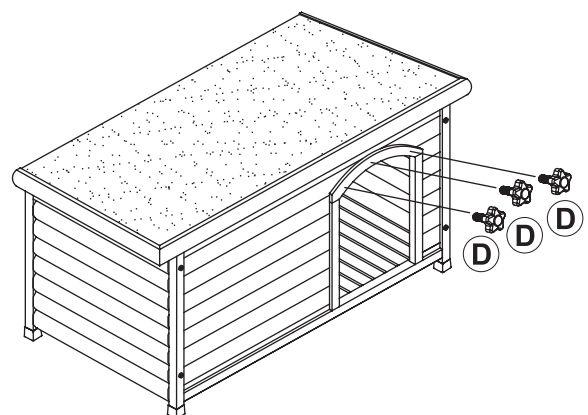


Tip: The corners of the two end pieces are notched to fit into the corners of the doghouse. The center piece does not have notches.

Step 3 Attach Roof panel with hinge to assembled doghouse using 5 - 1" (B) screws. Next, attach locking openers on each side using 8 - $\frac{3}{4}$ " (C) screws.



Step 4 Attach 3 star shaped bolts (D) on dog door frame in threaded holes.



To protect the wood on your doghouse you need to re-apply the protective stain finish at least 1x each year. Use a safe and non-toxic water based stain (available at your local paint or hardware center). Keep doghouse in a safe area away from high winds and extreme temperatures.