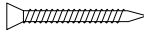
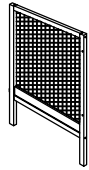
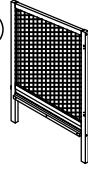

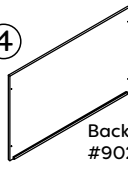
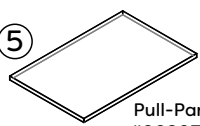
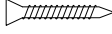
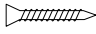
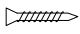
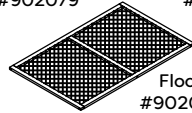

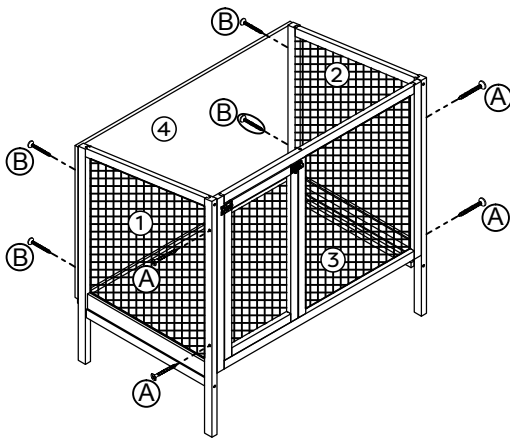
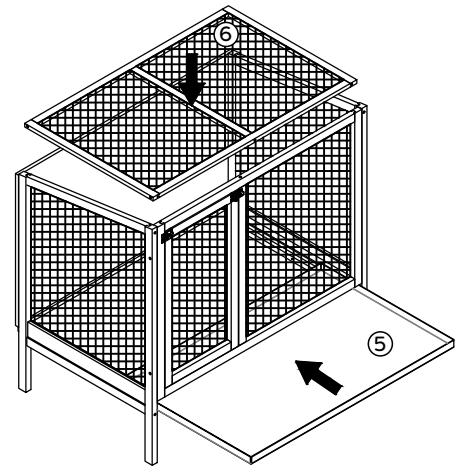


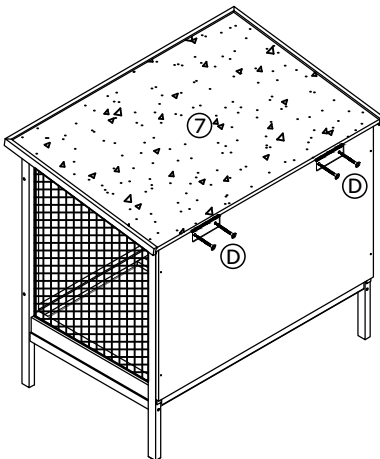
Hardware #902528		①		②		③		④		⑤	
(A)	 2" - 4 pcs		Left Side Panel #902079		Right Side Panel #902078		Front Panel #902072		Back panel #902074		Pull-Pan #902076
(B)	 1- ³ / ₈ " - 4 pcs										
(C)	 ⁵ / ₈ " - 8 pcs										
(D)	 ¹ / ₂ " - 4 pcs										
		⑥		⑦		L		R			
						Left Locking Hinge #902529		Right Locking Hinge #902531			
		Floor #902075		Roof #902073							



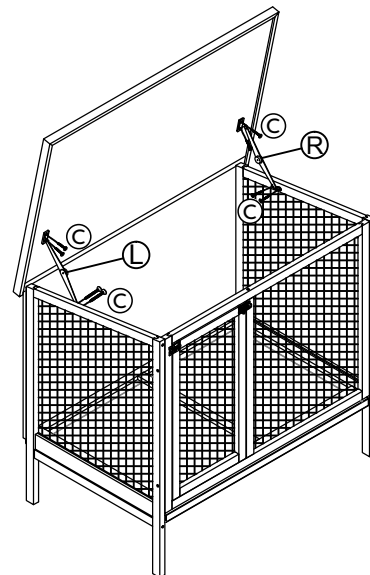
Step 1 Attach the Left Side Panel (1) and Right Side Panel (2) to the Front Panel (3) using 4 - 2" screws (A). Attach the Back Panel (4) to the left & right Side Panels using 4 - 1-³/₈" screws (B).



Step 2 Insert the Wire Floor (6) and the Pull-Pan (5).



Step 3 Attach the Roof (7) to the Back Panel using 4 - ¹/₂" screws (D).



Step 4 Install the Left Locking Hinge (L) and Right Locking Hinge (R) to the roof and side panels using 8 - ⁵/₈" screws (C).

ware cares[™]

We care about the carbon pawprint we leave as a company and are committed to using recycled and recyclable material in the manufacturing of our packaging and pet products.

Care Tip

#30001550

To protect the wood on your hutch you need to re-apply the protective stain finish at least 1x each year. Use a safe and non-toxic water based stain (available at your local paint or hardware center). Keep hutch in a safe area away from high winds and extreme temperatures.

If you have any questions or concerns about this product contact our customer service department at 1-800-295-2243 Mon-Fri 8:00 - 4:00 MST or email us at hello@warepet.com